



CONTROL BOARD

The control board includes:

- Switch with release coil.
- Thermal protection.
- Laser instrument for the maximum cutting precision.



EXTENSION SIDE BENCH

It is very practical when need to cut large size of tiles and marble slabs.

OPTIONAL



STORAGE

Built to reduce at the minimum the encumbrance during the carriage and above all the storage space.

CLASSplus

TILE AND MARBLE BRIDGE SAWS

Designed and made in Italy

	Art. 661101	Art. 661100	Art. 66901	Art. 66900
DIAMOND DISK (special gres included)	Ø250 mm. (int Ø25,4 mm.)			
ENGINE	230V 50Hz 1400W			
ROTATION SPEED	2800 rpm.			
MAX CUTTING LENGTH (thickness ≤ 42 mm)	1050 mm.		850 mm.	
MAX CUTTING LENGTH (thickness > 42 mm)	910 mm.		710 mm.	
MAX SIZE TILE FOR DIAGONAL CUT (thickness ≤ 42 mm)	740 x 740 mm.		600 x 600 mm.	
MAX SIZE TILE FOR DIAGONAL CUT (thickness > 42 mm)	645 x 645 mm.		500 x 500 mm.	
MAX CUTTING DEPTH	65 mm.		65 mm.	
MAX CUTTING DEPTH AT 45°	53 mm.		53 mm.	
WORKING TABLE SIZE	1084x523 mm.		882x523 mm.	
WATER RECYCLING PUMP TYPE	S0 Type			
KIT WHEELS	Standard	Optional	Standard	Optional
LASER INSTRUMENT	Standard	-	Standard	-
DIMENSION MACHINE IN SERVICE	1505 x 675 x h. 1300 mm.		1305 x 675 x h. 1210 mm.	
DIMENSION MACHINE IN STOCK	720 x 1600 x h. 940 mm.		720 x 1300 x h. 940 mm.	
DIMENSION 3 MACHINES ON PALLET	720 x 1600 x h. 2260 mm.		720 x 1300 x h. 2260 mm.	
NET WEIGHT	50 Kg.	47 Kg.	46 Kg.	43 Kg.



BATTIPAVTM
MACCHINE PER EDILIZIA | MACHINES FOR BUILDING

AUTHORIZED DEALER:

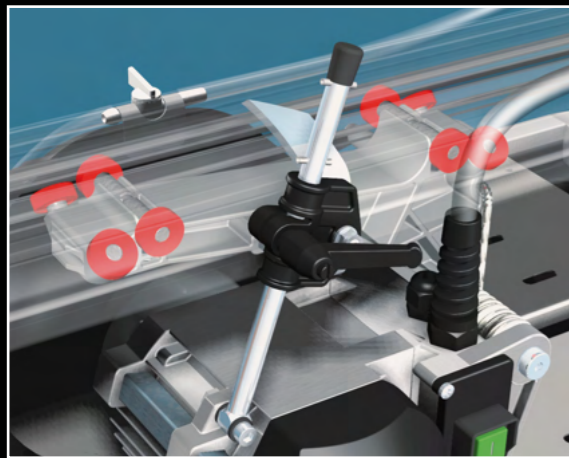


Z. i. 2 - Via Cavatorta, 6/1 | 48033 Cotignola (Ra) | ITALY
Tel. +39 0545 40004 | Fax +39 0545 41724
www.battipav.com | sales@battipav.com



APPLICATION

Built to cut on porcelain stoneware, tiles and marble.



The carriage engine group slides with 8 ball-bearings on interchangeable stainless steel track. So doing the sliding is very fast and precise.



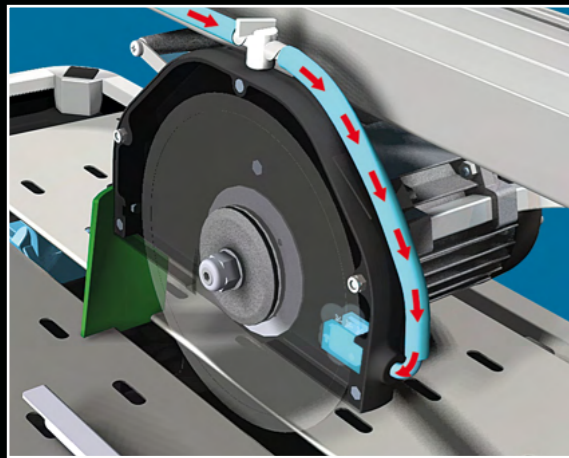
TILE SUPPORT
Very precise tile support with millimetric scale of quick reading.



Position 45° angle cuts.



The cutting head is horizontally pivoted and can be locked at the intended height. It makes every kind of shape.



Spray system
DISK'S LUBRICATION



ORIGINAL RECYCLING PUMP

POWERFUL MOTOR



FastLEG
LEG FASTENING SYSTEM

wdec
WATER DECANTING SYSTEM